

Serving our customers for over 31 years

# SWIFT Protech

Committed to people, service and quality

## Workstations

For nearly 30 years, manufacturers from around the world have trusted and relied on Swift Protech to provide the best, longest lasting, most reliable HMI and automation control workstations to run their applications.

## Keyboards

With a >1 million operation switches life-expectancy, Swift Protech keyboards deliver unrivaled reliability and offer a variety of pointing devices, connectors and embossed keys for enhanced feel and alternative mounting.

## Computers, KVMs ...

Manufacturers need durable industrial grade communication devices-PCs, KVMs and Thin Clients- that provide precise and reliable computing performance with responsive peripheral devices. Swift Protech offer COTS and customizable communication devices utilizing the latest IoT technologies

## Monitors, Panel PCs ...

Swift Protech houses monitors and touch panels in a variety of rugged enclosures that allow the user to put their displays wherever they are needed -indoors or outdoors, general purpose or hazardous areas.

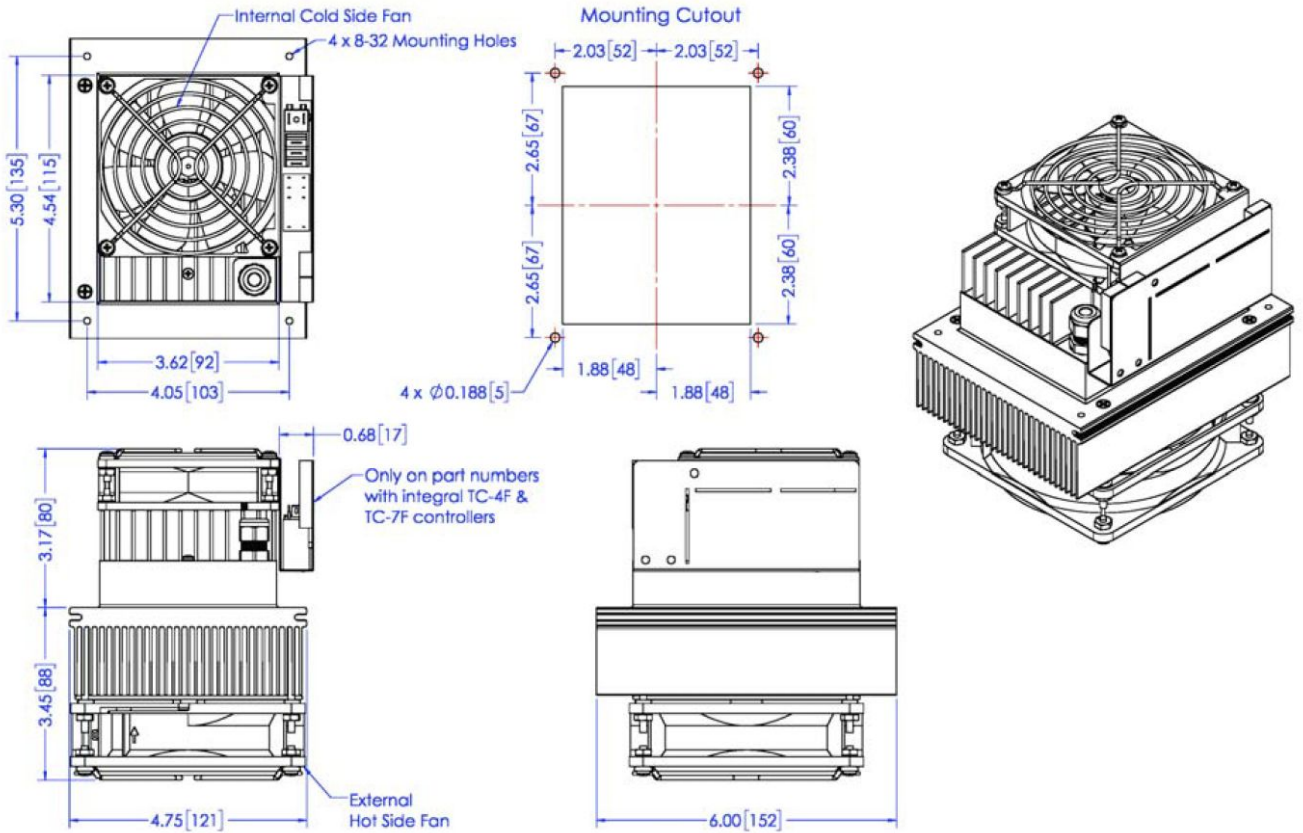


## Solid State Industrial Coolers

### Features

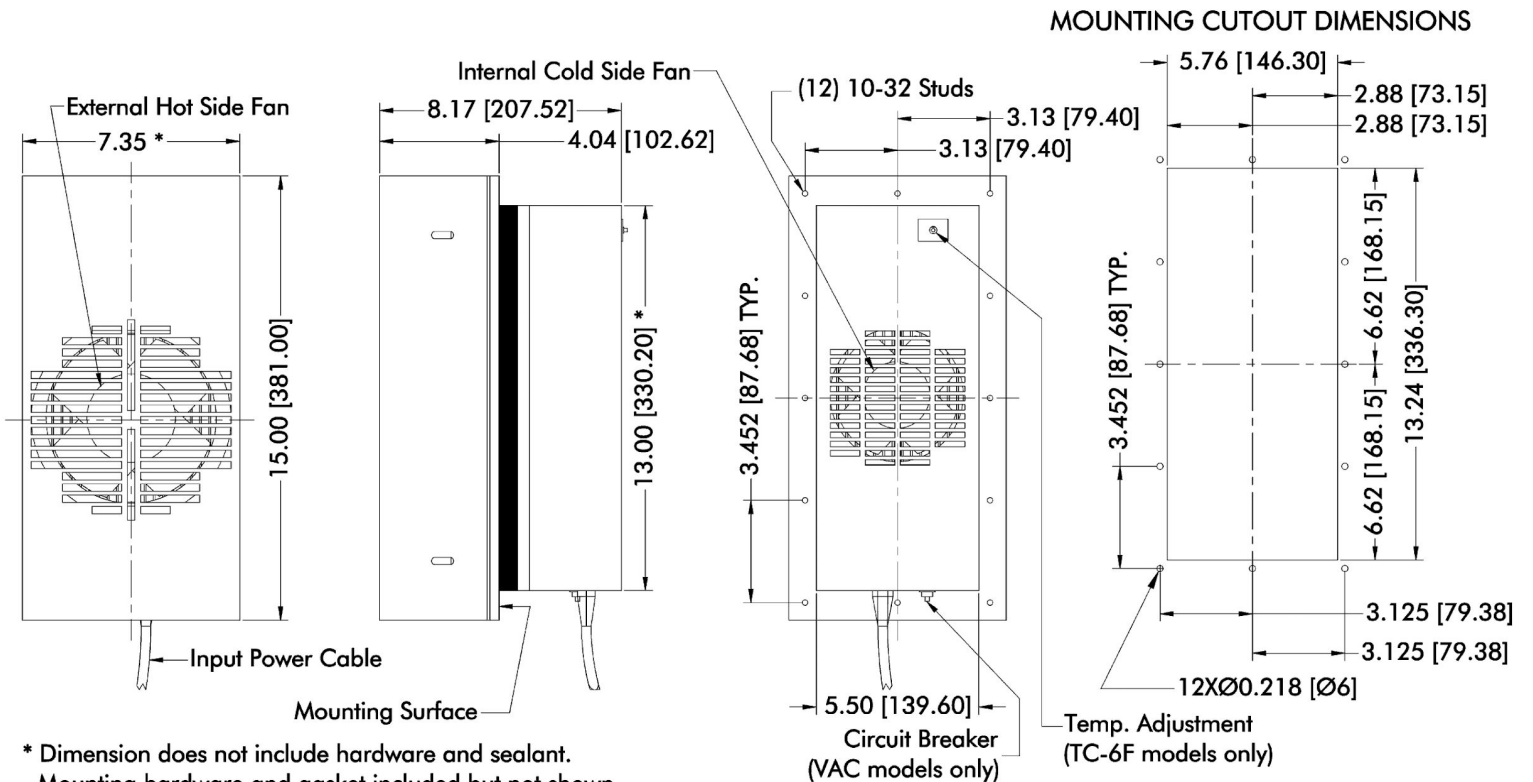
- No moving parts except fan
- Thru-mount, flush mount and internal mounting options
- 129 to 850 BTU options
- Long MTBF
- Indoor and Outdoor
- General Purpose & Hazloc areas
- Integrated controller
- VDC and VAC power configurations

# Dimensions- Sample 130 BTU



Dimensions do not include hardware & sealant  
 Mounting hardware & gasket included but not shown  
 Dimension: Inches [Millimeters]

# Dimensions- Sample 530 BTU C1D2



\* Dimension does not include hardware and sealant.  
 Mounting hardware and gasket included but not shown.  
 Dimensions: Inches [Millimeters]

# General Specifications

	SP-AHP-250	SP-AHP-1200-XP
Size	6"x4.74"x6.6"	15"x7.35"x8.17"
Weight	4 lbs	21 lbs
Power	12VDC, 24 VDC	120VAC, 240 VAC
BTU/HR	129	530
Operating Enclosure Temp	-10 / +60C	-10 / +60C
Operating Ambient Temp	-40 / +70 C	-40 / +70 C
Environments	NEMA-12, IP52 NEMA 4/4x, IP56	Class 1 Div 2 IP 52 Class 1 Div 2 IP 56 NEMA 12, 4/4x

Please call or email to discuss specific requirements for size, cooling and power.



678-590-1634

[sales@swiftprotech.com](mailto:sales@swiftprotech.com)